

# Forged Steel Gate Valve

## 900LBS~1500LBS



### FEATURES

- 1- 3/8" - 2" (DN10 - DN50)
- 2- W.P. 800 LB
- 3- W.T. -29°C ~ 180°C (-4°F ~ 392°F)
- 4- Forged Steel
- 5- "Socket weld end to ASME B16.11  
Screwed ends (NPT) to ANSI/ASME B 1.20.1"
- 6- Full port
- 7- Two piece self aligning packing gland

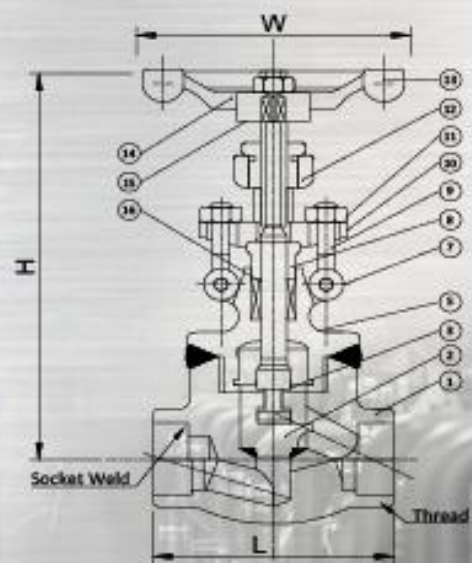
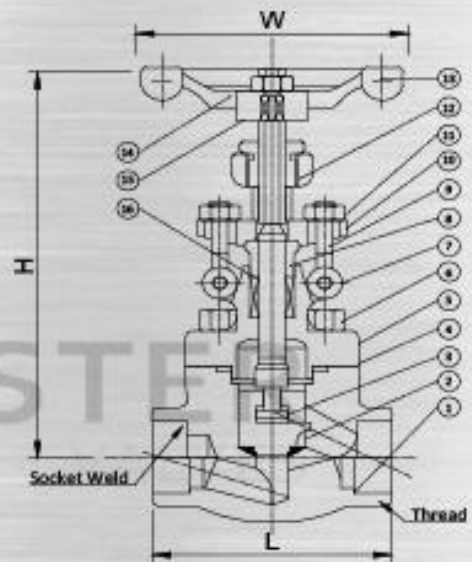
### Standard Material Specifications

Item	Parts	SS to ASTM	
		Type F304(L)	Type F316(L)
1	Body	A182 F304(L)	A182 F316(L)
2	Seat Ring	A276 304	A276 F316(L)
3	Wedge	A182 F304(L)	A182 F316(L)
4	Stem	A182 F304(L)	A182 F316(L)
5	Gasket	SS + graphite	
6	Bonnet	A182 F304(L)	A182 F316(L)
7	Bonnet Bolt	A193 B8	A193 B8M
8	Pin	A182 304(L)	
9	Gland	A182 F304(L)	A182 F316(L)
10	Gland Eyebolt	A193 B8	A193 B8M
11	Gland Flange	A182 F304(L)	A182 F316(L)
12	Gland Nut	A194 8	A194 B8M
13	Yoke Nut	A276 420	
14	H. W. Lock Nut	A194 8	A194 B8M
15	Nameplate	SS	
16	Hand wheel	A197	
17	Bearing Gasket	A473431	
18	Stem Packing	PTFE	
Suitable Medium		HNO CH COOH etc	
Suitable Temperature		-29°C~180°C	

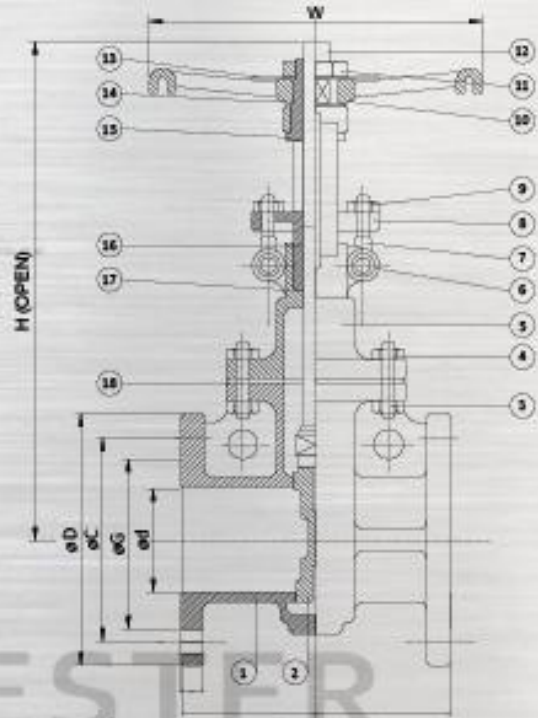
CS=Carbon Steel; SS=Stainless Steel;

### Dimensions (mm) and Weights (Kg)

NPS	Full	Dimensions (mm)						
		3/8"	1/2"	3/4"	1"	1-1/4"	1-1/2"	2"
L		111	111	120	120	140	178	178
H (OPEN)		197	197	236	246	283	330	354
W		125	125	160	160	180	200	240
Weights	Bolted	4.3	4.2	6.6	8.8	12.5	17.2	23.5
	Welded	4.2	4	6.3	8.7	12.1	17.2	22



# Flanged End Gate Valve



ITEM	PARTS	MATERIAL
1	BODY	ASTM A351-CF8M
2	DISC	
3	BONNET BOLT	AISI 304
4	BONNET NUT	
5	BONNET	ASTM A351-CF8M
6	HINGE PIN	AISI 304
7	EYE BOLT	
8	GLAND	ASTM A351-CF8
9	NUT	AISI 304
10	HAND WHEEL	FCD
11	NUT	BRONZE
12	STEM	AISI 316
13	NAME PLATE	AISI 304
14	SPRING	BRONZE
15	YOKE SLEEVE	
16	SPRING WASHER	AISI 304
17	GLAND PACKING	PTFE
18	PACKING	PTFE
19	SEAL	PTFE/304+GRAPHITE

### FEATURES

- 1/2"~36" (DN15~DN900)
- W. P.: PN10/16/25/40  
CLASS 150/300/600/900/1500  
JIS 10K
- W.T. -29°C ~ 180°C (-4°F ~ 392°F)
- Investment casting
- Rising stem
- API 6d / API 600 / API 603 (optional)

DN	d	L			H			W		
		CLASS 150	CLASS 300	PN16	CLASS 150	CLASS 300	PN16	CLASS 150	CLASS 300	PN16
15	15.0	108	140	115	190	236	190	120	120	120
20	20.0	117	152	120	195	236	195	120	120	120
25	25.0	127	165	125	234	236	234	120	120	120
32	32.0	140	-	130	297	-	297	200	-	200
40	38.0	165	190	140	300	355	300	200	250	200
50	50.0	178	216	150	331	384	330	200	250	200
65	63.0	190	241	170	393	454	393	200	250	200
80	76.0	203	283	180	470	500	470	250	250	250
100	96.0	228.5	305	190	545	609	545	250	300	250
125	125	254	381	200	640	630	640	300	300	300
150	150	267	403	210	740	792	740	300	350	300
200	200	292	419	230	910	998	910	350	400	350
250	250	330	457	250	1097	1257	1097	400	500	400
300	300	356	502	270	1285	1507	1285	400	500	400

unit: mm

DN	d	L			H			W		
		CLASS 150	CLASS 300	PN16	CLASS 150	CLASS 300	PN16	CLASS 150	CLASS 300	PN16
1/2"	0.59	4.25	5.51	4.53	7.48	9.29	7.48	4.47	4.72	4.47
3/4"	0.79	4.61	5.98	4.72	7.68	9.29	7.68	4.47	4.72	4.47
1"	0.98	5.00	6.5	4.92	9.21	9.29	9.21	4.47	4.72	4.47
1-1/4"	1.26	5.51	-	5.12	11.69	-	11.69	7.87	-	7.87
1-1/2"	1.57	6.50	7.48	5.51	11.81	13.98	11.81	7.87	9.84	7.87
2"	1.97	7.01	8.5	5.91	13.03	15.12	12.99	7.87	9.84	7.87
2-1/2"	2.56	7.48	9.49	6.69	15.47	17.87	15.47	7.87	9.84	7.87
3"	3.15	7.99	11.14	7.09	18.5	19.69	18.5	9.84	9.84	9.84
4"	3.94	9.02	12.01	7.48	21.46	23.98	21.46	9.84	11.81	9.84
5"	4.92	10.00	15	7.87	25.2	24	25.2	11.81	11.81	11.81
6"	5.91	10.51	15	8.27	29.13	31	29.13	11.81	13.78	11.81
8"	7.87	11.50	16	9.06	3	39.29	35.83	13.78	15.75	13.78
10"	9.84	12.99	17.99	9.84	43	49.49	43.19	15.75	19.69	15.75
12"	11.8	14.02	19.76	10.63	50	59.33	50.59	15.75	19.69	15.75

unit: in

# Forged Steel

## Gate Valve 800 LBS



### FEATURES

- 1.- 3/8" - 2" (DN10 - DN50)
- 2.- W.P. 800 LB
- 3.- W.T. -29°C ~ 180°C (-4°F ~ 392°F)
- 4.- Forged Steel
- 5.- "Socket weld end to ASME B16.11  
Screwed ends (NPT) to ANSI/ASME B 1.20.1"
- 6.- Full port
- 7.- Two piece self aligning packing gland

### Standard Material Specifications

Item	Parts	SS to ASTM	
		Type F304(L)	Type F316(L)
1	Body	A182 F304(L)	A182 F316(L)
2	Seat Ring	A276 304	A276 F316(L)
3	Wedge	A182 F304(L)	A182 F316(L)
4	Stem	A182 F304(L)	A182 F316(L)
5	Gasket	SS + graphite	
6	Bonnet	A182 F304(L)	A182 F316(L)
7	Bonnet Bolt	A193 B8	A193 B8M
8	Pin	A182 304(L)	
9	Gland	A182 F304(L)	A182 F316(L)
10	Gland Eyebolt	A193 B8	A193 B8M
11	Gland Flange	A182 F304(L)	A182 F316(L)
12	Gland Nut	A194 8	A194 B8M
13	Yoke Nut	A276 420	
14	H. W. Lock Nut	A194 8	A194 B8M
15	Nameplate	SS	
16	Hand wheel	A197	
17	Bearing Gasket	A473431	
18	Stem Packing	PTFE	
Suitable Medium		HNO CH COOH etc	
Suitable Temperature		-29°C~180°C	

CS=Carbon Steel; SS=Stainless Steel;

### Dimensions (mm) and Weights (Kg)

NPS	Full	3/8"	1/2"	3/4"	1"	1-1/4"	1-1/2"	2"
L		79	92	111	120	120	140	178
H (OPEN)		158	169	197	236	246	283	330
W		100	100	125	160	160	180	200
Weights	Bolted	2	2.3	4.3	5.9	6.9	11.1	15.2
	Welded	1.7	2	3.8	5.1	6.1	10.2	14.2

